

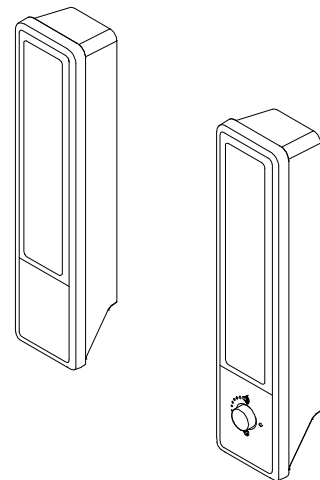
## Specifications

# 20 W audio system for SMART Board™ interactive whiteboard systems

## Model SBA-V

### Physical specifications

<b>Size</b>	
Right speaker	3 15/16" W × 17 11/16" H × 3 15/16" D (10 cm × 45 cm × 10 cm)
Left speaker	3 15/16" W × 17 11/16" H × 3 9/16" D (10 cm × 45 cm × 9 cm)
<b>Weight</b>	
Both speakers	8 lb. (3.8 kg)
With brackets	10 lb. 2 oz. (4.6 kg)
<b>Shipping size</b>	
	21" W × 8" H × 11" D (53.3 cm × 20.3 cm × 27.9 cm)
<b>Shipping weight</b>	14 lb. 13 oz. (5.8 kg)



All dimensions +/- 1/32" (1 mm).

All weights +/- 1/2 lb. (225 g).

### Standard features

<b>Mounting brackets</b>	Enable you to wall-mount the speakers or attach them directly to a SMART Board™ interactive whiteboard
<b>Color</b>	Dark gray (approximates Pantone® Charcoal Gray 18-0601 TPX)

## SPECIFICATIONS

20 W audio system for SMART Board interactive whiteboards – Model SBA-V

<b>Control</b>	The combination power button and volume dial located on the front of the right (active) speaker enables you to turn the speakers on or off and adjust the volume.
Automatic activation	When turned on, the speakers immediately activate when they receive an audio signal.
Standby mode	The speakers enter Standby mode when they don't receive an audio signal for an extended period of time to reduce power consumption.
LED status light	The LED status light is green when the speaker is activated, amber when the speaker is in Standby mode and off when the speaker is off.
<b>Audio input cables</b>	A 14' 9" (4.5 m) 3.5 mm mini phone plug to dual RCA cable to connect your system's projector to the right speaker A 9' 10" (3 m), 16 AWG wire speaker cable with two polarized Molex® connectors to connect the right speaker to the left speaker
<b>Audio output</b>	The audio system provides a comfortable listening volume in rooms up to 1,000 square feet (90 square meters) in size
Output power	20 W RMS per channel, both channels driven simultaneously at less than 1% total harmonic distortion
Amplifier	Class D
Frequency range	100 Hz–20,000 Hz
Impedance	6 Ω
Maximum output	90 dB SPL or greater
Drivers per channel	Two 3" woofers and one 1" tweeter
<b>Power supply</b>	
Size	4 1/8" × 1 5/16" × 1 1/4" (10.5 cm × 4.5 cm × 3.3 cm)
Power cable	A 14' 9" (4.5 m) country-specific power cable
Input	Switching-mode power supply (100V to 240V AC, 50 Hz to 60 Hz, 1.5A)
Output	18V DC, 3A
Power consumption in Standby mode	2 W or less
<b>Environmental compliance</b>	CPSIA, EU RoHS, China EIP, EU WEEE
<b>Regulatory certification</b>	UL, CUL, CB, FCC Class A, C-Tick, CE

## SPECIFICATIONS

20 W audio system for SMART Board interactive whiteboards – Model SBA-V

**Warranty** One-year limited equipment warranty

## Environmental specifications

**Storage temperatures** -40°F to 122°F (-40°C to 50°C) with up to 95% humidity, non-condensing

**Operating temperatures** 41°F to 95°F (5°C to 35°C) with up to 80% humidity, non-condensing

### ▲ CAUTION

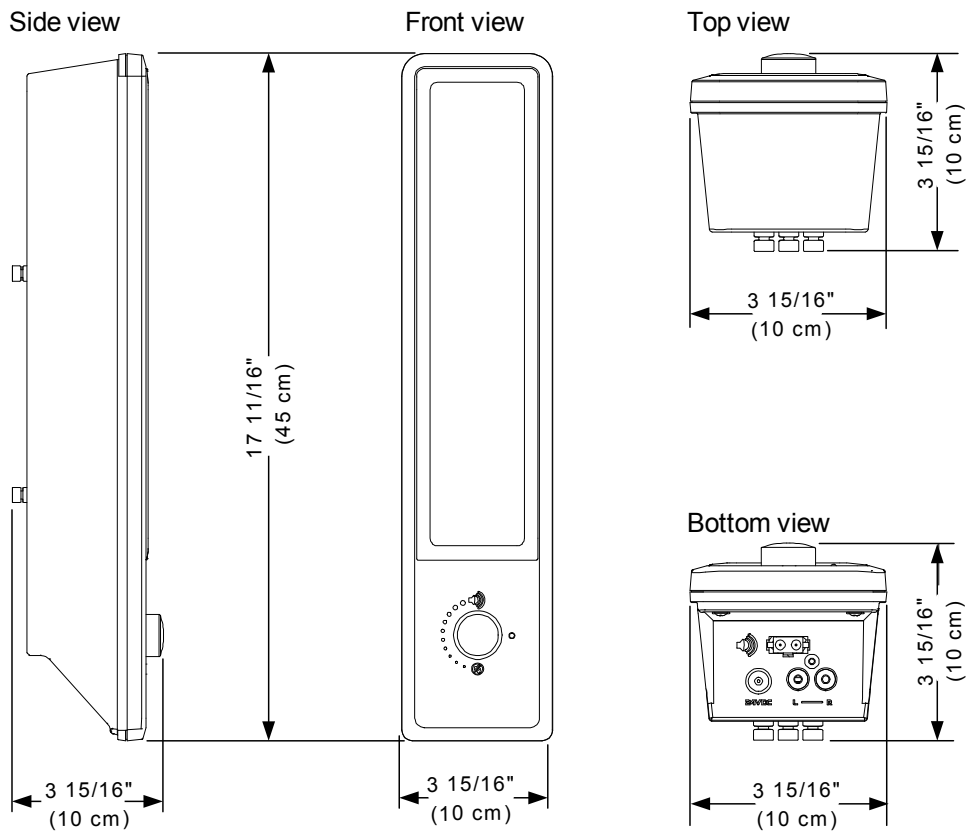
Ensure that the speakers are within the operating temperature range before you use them.

## SMART order numbers

**SBA-V** 20 W audio system for SMART Board interactive whiteboard systems

## Physical dimensions

**Right (active) speaker**



## SPECIFICATIONS

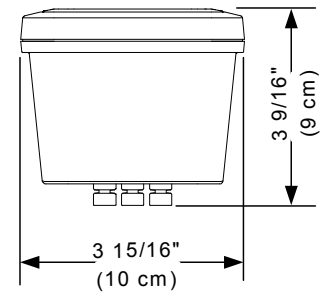
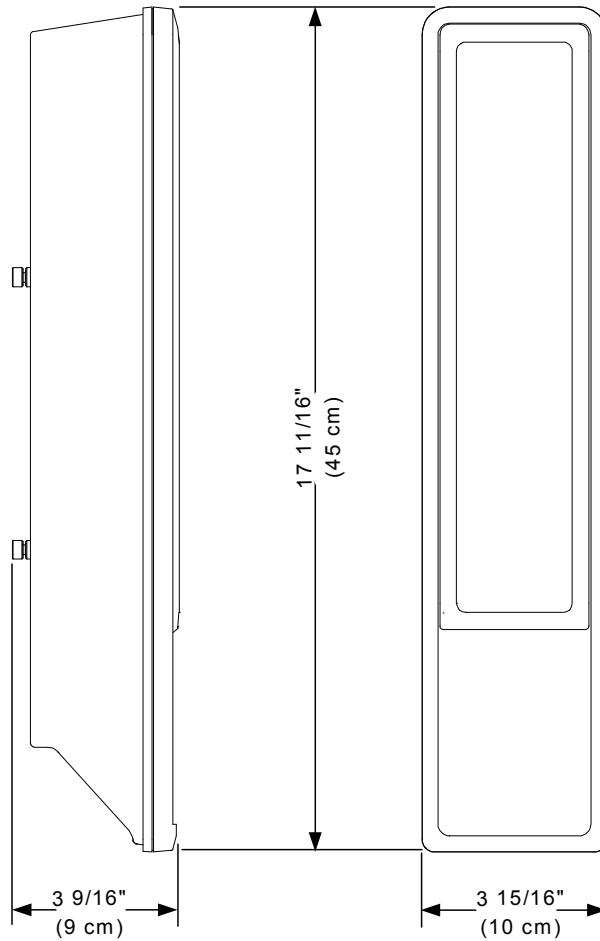
20 W audio system for SMART Board interactive whiteboards – Model SBA-V

**Left (passive)  
speaker**

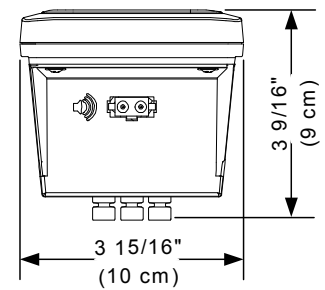
Side view

Front view

Top view



Bottom view



[www.smarttech.com/support](http://www.smarttech.com/support) | [www.smarttech.com/contactsupport](http://www.smarttech.com/contactsupport)  
Support +1.403.228.5940 or Toll Free 1.866.518.6791 (U.S./Canada)

© 2011 SMART Technologies ULC. All rights reserved. SMART Board, smarttech, the SMART logo and all SMART taglines are trademarks or registered trademarks of SMART Technologies ULC in the U.S. and/or other countries. All third-party product and company names may be trademarks of their respective owners. Patents pending. Contents are subject to change without notice. 03/2011.