

## Specifications

# SMART electric height-adjustable mobile stand

Model FSE-400

## Overview

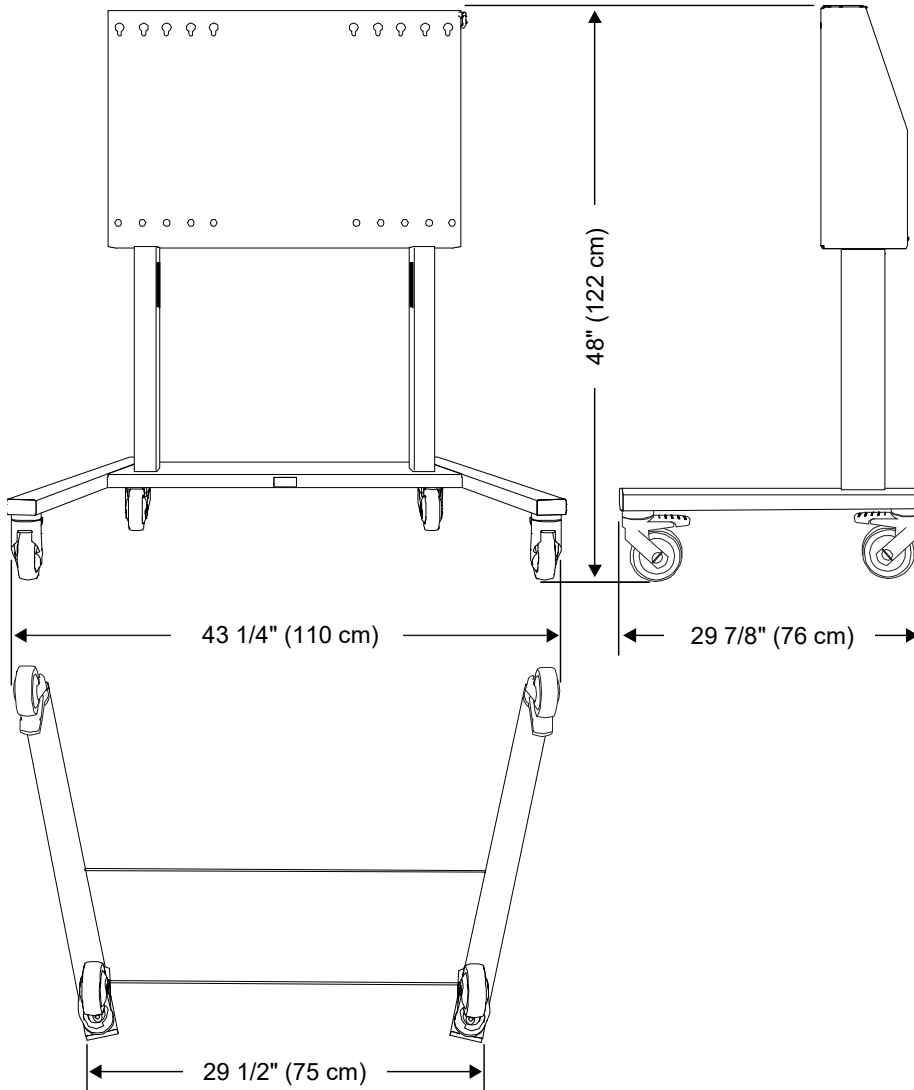
Designed for the current line of SMART Board<sup>®</sup> interactive displays, the SMART electric height-adjustable mobile stand features 26" (66 cm) of powered height adjustment with a safety bounce-back feature that reverses direction briefly if an obstruction is detected. With its wide footprint and sturdy steel frame, the stand supports displays up to 86" (218 cm) diagonal and 245 lb. (111 kg) total weight including accessories. You can easily roll the stand across smooth floors and secure with the industrial grade 4" locking casters. The stand has a TUV-certified drive system and complies with Americans with Disabilities Act (ADA) standards. The stand also includes VESA mounting points for easy installation of the display and peripherals, a locking storage cabinet, and a power bar.

See [smarttech.com](https://smarttech.com) for more information on this product.



## Dimensions and weights<sup>1</sup>

### Dimensions



### Weight

106 lb. (48 kg)

### Shipping dimensions

45 2/8" × 32 5/8" × 7 3/8"  
 (115 cm × 83 cm × 19 cm)

### Shipping weight

115 lb. (52.5 kg)

### Storage cabinet dimensions

29 1/2" × 19 5/8" × 7 1/8"  
 (75 cm × 50 cm × 18.1 cm)

## Hardware

|                                |                                                                    |
|--------------------------------|--------------------------------------------------------------------|
| Supported SMART Board displays | SMART Board 7000 series, 6000 series, MX and MX100 series displays |
| Maximum display size           | 86" (218 cm) diagonal and 80" (203 cm) wide                        |
| Minimum display size           | 65" (163 cm) diagonal                                              |
| Maximum lift capacity          | 245 lb. (111 kg)                                                   |

<sup>1</sup>All dimensions ± 1/8" (0.3 cm). All weights ± 2 lb. (0.9 kg).

|                          |                                                                                                                                                                                        |
|--------------------------|----------------------------------------------------------------------------------------------------------------------------------------------------------------------------------------|
| Minimum weight           | 92 lb. (42 kg)                                                                                                                                                                         |
| <b>Height adjustment</b> |                                                                                                                                                                                        |
| Range                    | 26" (66 cm)                                                                                                                                                                            |
| Maximum extended height  | 74" (188 cm)                                                                                                                                                                           |
| Minimum extended height  | 48" (122 cm)                                                                                                                                                                           |
| <b>Components</b>        |                                                                                                                                                                                        |
| Wheels                   | 4" industrial-grade locking casters                                                                                                                                                    |
| Mounting                 | VESA® mounting pattern: 300 mm × 400 mm - M8, 500 mm × 400 mm - M6, 600 mm × 400 mm - M8, 700 mm × 400 mm - M8, 400 mm × 200 mm - M8, 800 mm × 200 mm - M8 with adapter (not included) |

## Storage and operating requirements

### Power consumption

|                 |                         |
|-----------------|-------------------------|
| Supply voltage  | 100V–240V AC, 50 –60 Hz |
| Nominal voltage | 110V AC, 220V AC        |

### Power consumption

|                                  |                                                               |
|----------------------------------|---------------------------------------------------------------|
| Raising a display (maximum load) | 300 W                                                         |
| Standby mode                     | 0.1 W                                                         |
| Duty cycle                       | 10% (2 minutes of operation fully loaded, 18 minutes of rest) |

**Operating temperature** 50–104°F (10–40°C)

**Storage temperature** 14–158°F (-10–70°C)

**Humidity** 85% non-condensing

## Certification and compliance

**Regulatory certification** ISED, CE

**Other** ADA

### Environmental compliance

|                |                                            |
|----------------|--------------------------------------------|
| European Union | RoHS, REACH and Packaging Directive        |
| U.S.           | CONEG Packaging, California proposition 65 |

## Purchasing information

### Order numbers

|         |                                               |
|---------|-----------------------------------------------|
| FSE-400 | SMART electric height-adjustable mobile stand |
|---------|-----------------------------------------------|

---

|            |         |
|------------|---------|
| FSE-400-HL | Handles |
|------------|---------|

---

|            |            |
|------------|------------|
| FSE-400-CH | Cable hook |
|------------|------------|

---

|            |              |
|------------|--------------|
| FSE-400-LS | Laptop shelf |
|------------|--------------|

---

|                             |                                                                               |
|-----------------------------|-------------------------------------------------------------------------------|
| <b>Optional accessories</b> | See <a href="https://smarttech.com/accessories">smarttech.com/accessories</a> |
|-----------------------------|-------------------------------------------------------------------------------|

---

|                 |                                      |
|-----------------|--------------------------------------|
| <b>Warranty</b> | Five-year limited equipment warranty |
|-----------------|--------------------------------------|

---

[smarttech.com/support](https://smarttech.com/support)  
[smarttech.com/contactsupport](https://smarttech.com/contactsupport)

© 2020 SMART Technologies ULC. All rights reserved. SMART Board, smarttech, the SMART logo and all SMART taglines are trademarks or registered trademarks of SMART Technologies ULC in the U.S. and/or other countries. All third-party product and company names may be trademarks of their respective owners. This product and/or use thereof is covered by one or more of the following U.S. patents: [www.smarttech.com/patents](https://www.smarttech.com/patents). Contents are subject to change without notice. October 2, 2020.